

AUTHORIZED DISTRIBUTOR
J W Industrial Instruments Pty Ltd



GAS AND FLAME DETECTION
DETEKCE PLYNU A PLAMENE

JW GAS
DETECTION
SYSTEM



Combined Alarms and Sounders/ Speakers/Audible Alarm (Horn)

(NON HAZARDOUS (ZONED) AREAS)

- 3 options for setting the optical signalinge
- IP 65
- Power voltage 24V



ISO 9001:2015
Quality management Systems
Système de Qualité
www.sgs.com

Alarms / Beacons NON HAZARDOUS (ZONED) AREAS

Audible and optical signaling is part of the DEGA gas detection system. It is designed as a compact device for installation in non-explosive areas. The wide input voltage band ensures flexible use in many industrial and other applications..

■ RED Xenon beacon, SO/R/DR/10C

TECHNICAL SPECIFICATION:	
Power voltage:	24V/0,088A DC
Light output:	10 cd
Flashing frequency:	1 Hz
Ambient temperature:	-25°C up to +70°C
Construction:	ABS VO, PC
Degree of cover protection:	IP65
Weight:	0,25 kg
Dimensions(WxHxD):	93x91 mm (diameter x height)
Colours	Red



■ RECOMMENDED ACCESSORIES

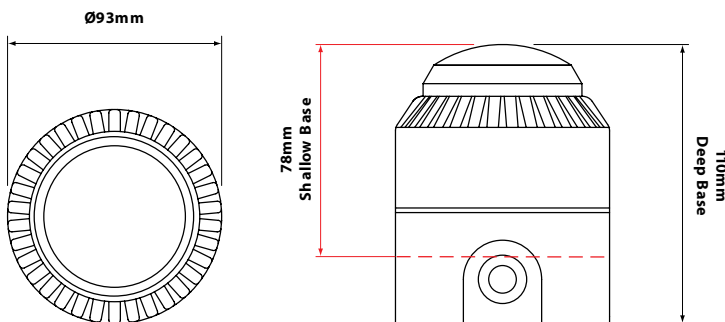
DEGA T

Information board with a description of its functioning in accordance with the customer's requirements.



DEGA TL III

External reset button for the souders/speakers
IP65, -25°C +70°C



■ ACCESSORIES:



External power supply 30-240W
with External Mounting
Boxx